



## Bathtub - LULU

Two-way diverter for deck-mounted tub installation - polished chrome

Article number: 29 140 710-00



- Integrated diverter
- 1-1/4" hole diameter
- Flange 2-1/2" x 2-1/2"
- 1/2" connection
- Water flow rate limited to max. 17.1 gpm

### Codes & Standards

- California Energy Commission (CEC)
  - ASME A112.18.1/CSA B125.1
- 
- Fittings group in compliance with DIN 4109: 1



polished chrome

Discontinued items available to order until 31.12.9999

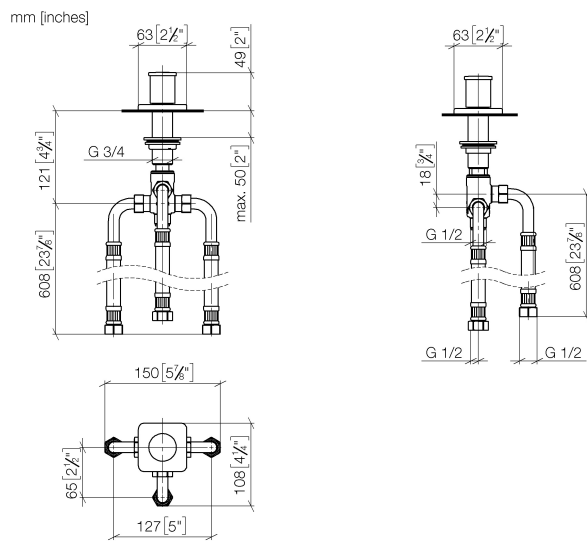


## Bathtub - LULU

Two-way diverter for deck-mounted tub installation - polished chrome

Article number: 29 140 710-00

### Dimensional drawing



All dimensions in mm / inch = mm x 0,0394

### Flow rate chart





## Bathtub - LULU

Two-way diverter for deck-mounted tub installation - polished chrome

Article number: 29 140 710-00

### Other surface finishes

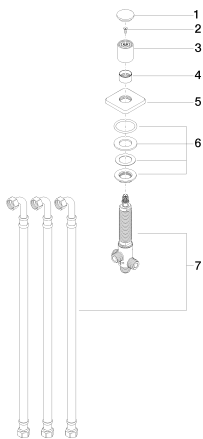


platinum matte

29 140 710-06

More custom finish options are available via special production (xTra Service). Please see our finish matrix for availability and pricing or contact a Dornbracht representative.

### Spare parts list



Number	Item Number	Designation	Number of units
1	09 20 71 003-00	handle	1
2	90 30 30 014 00 90	screw	1
3	09 20 71 002-00	handle	1
4	09 16 01 012-00	ring	1
5	09 27 71 008-00	rosette	1
6	04 23 10 004 03 90	fixing set	1
7	90 17 09 051 00 90	diverter	1